



<http://www.5gex.eu>

Virtualization and Control in Multi-Provider Environment: the 5G Exchange approach

Carlos J. Bernardos – Universidad Carlos III de Madrid (UC3M)

5G-Crosshaul and 5GEx: two key examples of network softwarization in H2020

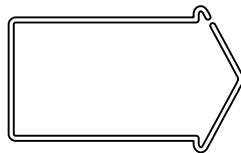
Workshop on OpenDayLight and NFV/SDN Orchestration

October 19, 2016



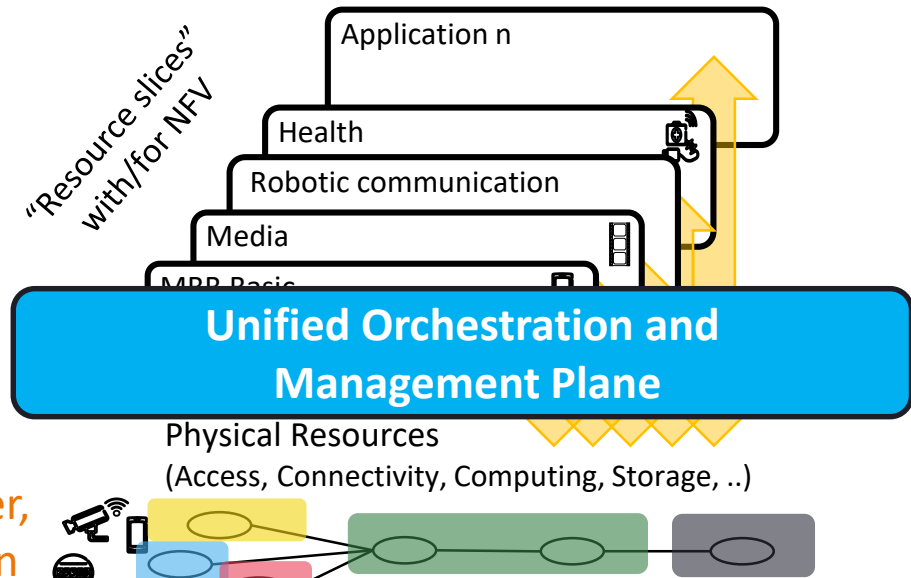
Vision: One Stop Shop for End-to-end XaaS for Multiple Industries

From dedicated **physical networks with dedicated control and dedicated services and resources** for different applications...



Multi-provider,
multi-domain

...to a “network factory” where **resources and network functions are traded and provisioned**: new infrastructures and services are “manufactured by SW”



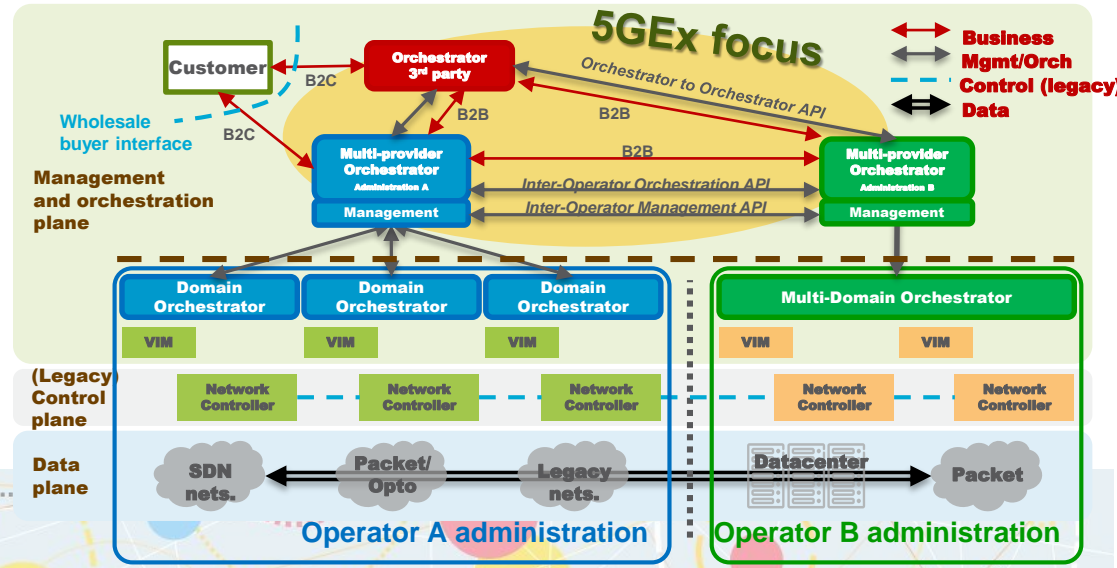
Motivations: why 5GEx?

- Today's environment:
 - **Market fragmented** today due to having multiple operators and service providers each with a footprint focused on a specific region
 - Significant and emerging 5G market and technology shift
- Consequences:
 - Infeasible to **deploy and offer cost-effective** infrastructure services spanning multiple countries/domains
 - Existing services and inter-operator collaboration tools are very limited
- Our goal/challenges:
 - Invent technical and business solutions to **5G autonomous orchestration** of services across **multi-domain and multi-technology** environments



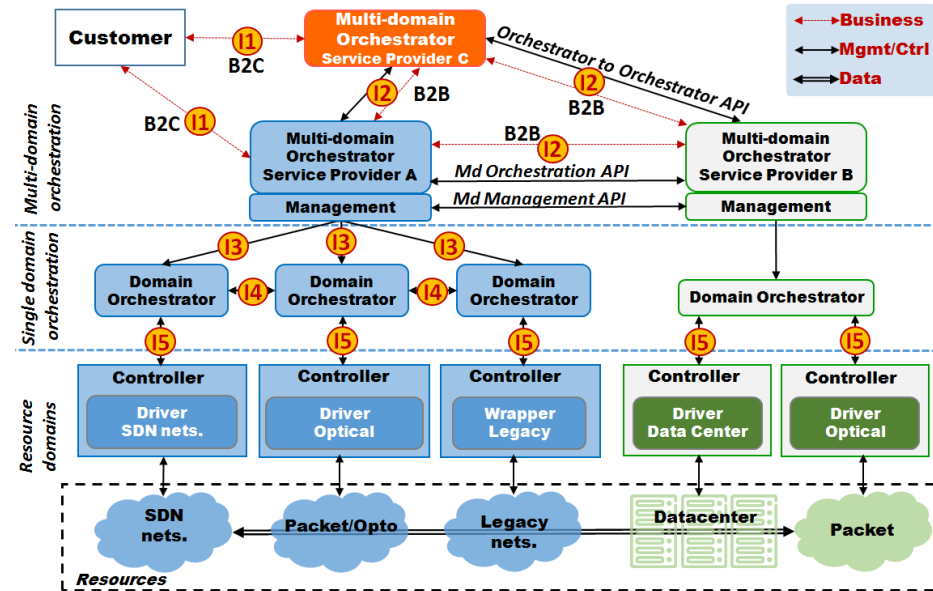
5GEx scope

- Design a cross domain orchestration system that provides wholesale XaaS services over multiple administrative and technology domains
- Define business and coordination models, trading mechanisms, charging schemes and value chains
- Build a working cross domain orchestration system and deploy a demonstrable prototype
- Experiment and validate cross domain orchestration prototype by implementing selected use cases on a multi site 5GEx sandbox
- Project timeframe
 - Oct 2015 – Apr 2018

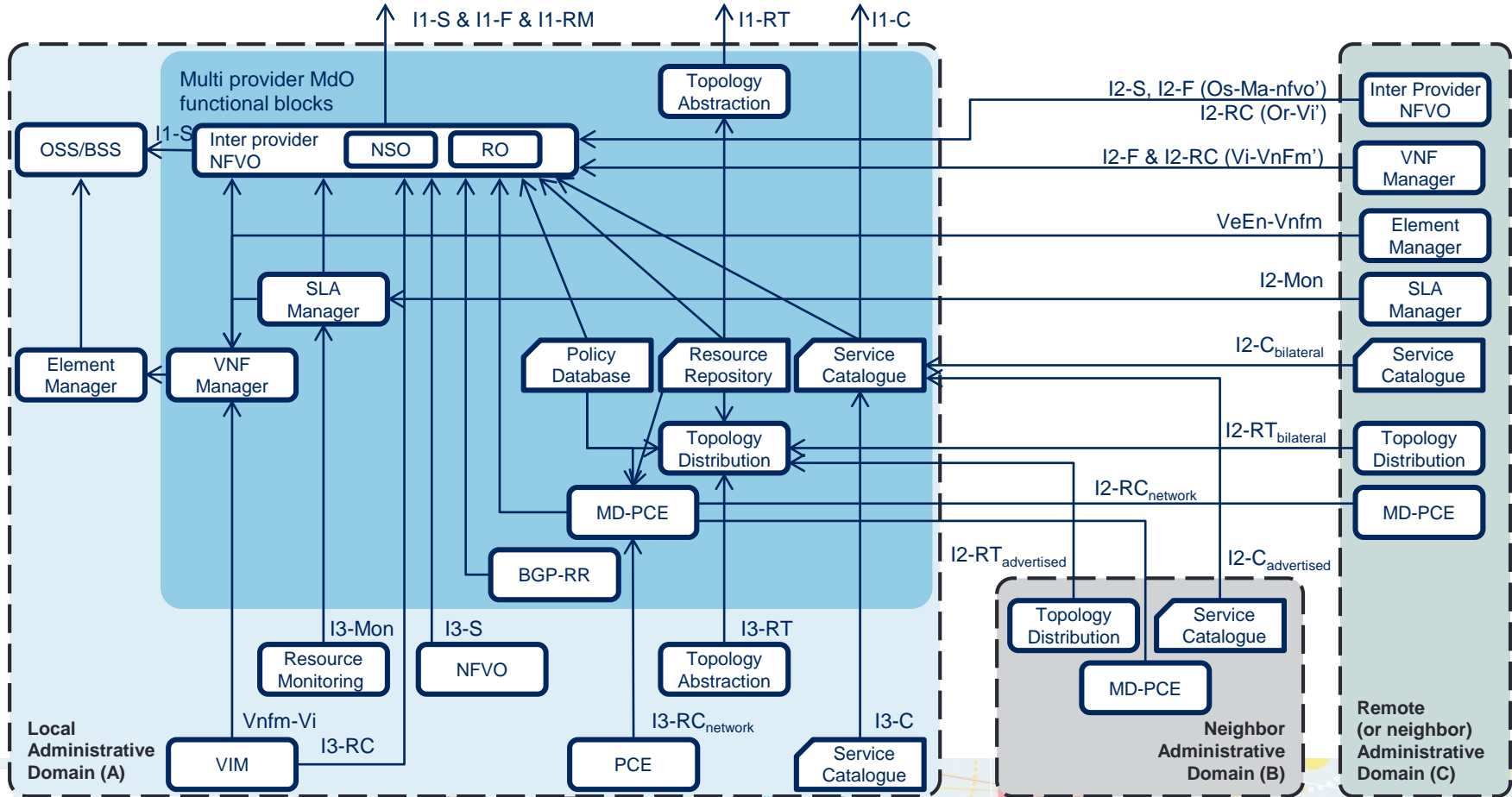


Architecture: key messages

- Multi Provider Orchestration in three stages
 1. Providers **advertise basic inter provider topology** and optionally service catalogue information to all or to a predefined group of providers
 2. Providers exchange information on a bilateral basis in a **consumer - provider** relation
 3. **Network Service (slice) orchestration** process (involving domain orchestrators)
- Separation of resource and service orchestration

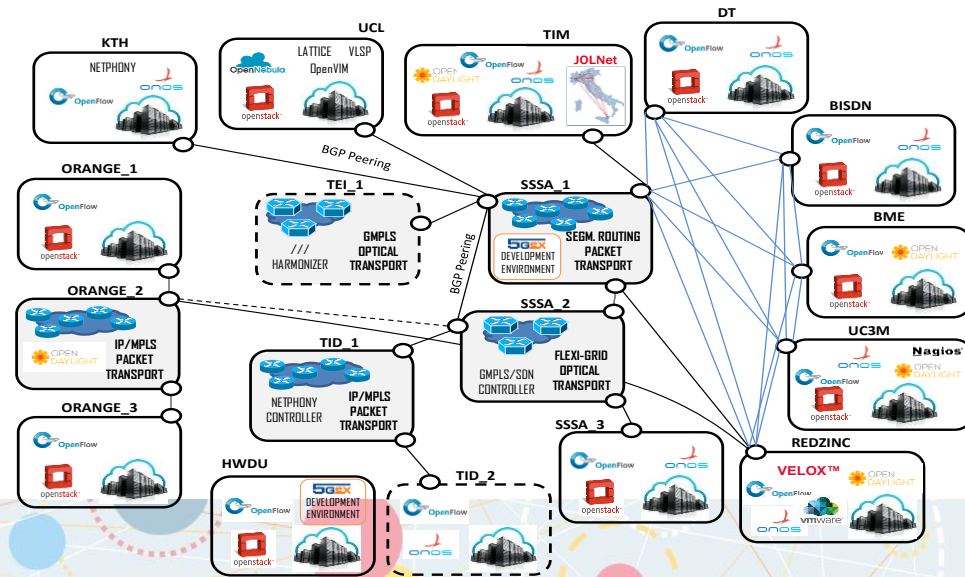


5GEx architecture (a bit more detailed view)



Prototype and Sandbox

- Prototype
 - To demonstrate key features of multi provider orchestration and its added value
 - Bottom-up prototype design based on existing components
- Sandbox
 - Goal twofold
 - Build realistic and secure environment for testing and rolling out innovative services
 - Also open to other interested parties
 - Sandbox to host 5GEx orchestration prototype
 - Sandbox Architecture
 - Internet connectivity structure is followed
 - DCs connected as stub networks
 - Interconnected ONF SDN islands



Summary

- 5GEx is an innovation project on cross domain orchestration between multiple administrative and technology domain
- We are building on MANO components and data models
 - NSO, RO
- PoC Prototype and Sandbox for verification and demonstrations
- More information available on <http://www.5gex.eu/>
- Any feedback on 5GEx is most welcome!



<http://www.5gex.eu/>



Universidad Carlos III de Madrid



BISDN
Berlin Institute for
Software Defined Networks



